



Modrus Internet Connectivity

Modrus Internet Connectivity solutions provide resilient communications for home workers, offices and enterprises. Thanks to mature relationships with our telecoms and hardware partners, Modrus is able to offer unrivalled levels of service, with 24/7 monitoring and fast-track fault resolution, which are backed up with cast-iron uptime guarantees.

Resilient Communications

Modrus partners with a number of telecoms providers, which allows us to secure best-in-class connectivity for our clients. This results in high traffic prioritisation and low contention ratios, ensuring minimal degradation of service during busy periods.

Fast-Track Fault Resolution

Because of its mature relationships with a number of telecoms providers, Modrus has direct access to their fault resolution systems. This allows us to provide in-house, first line support and issue resolution, without recourse to the telecoms provider – thus significantly accelerating the resolution process.

Single Point of Contact

In the unlikely event that you encounter problems with your connection, Modrus is your single point of contact. We won't play ping-pong with you, with us blaming the telecoms provider and vice-versa. The buck stops with us – we will resolve your problem quickly and efficiently.

Unbeatable Uptime Guarantee

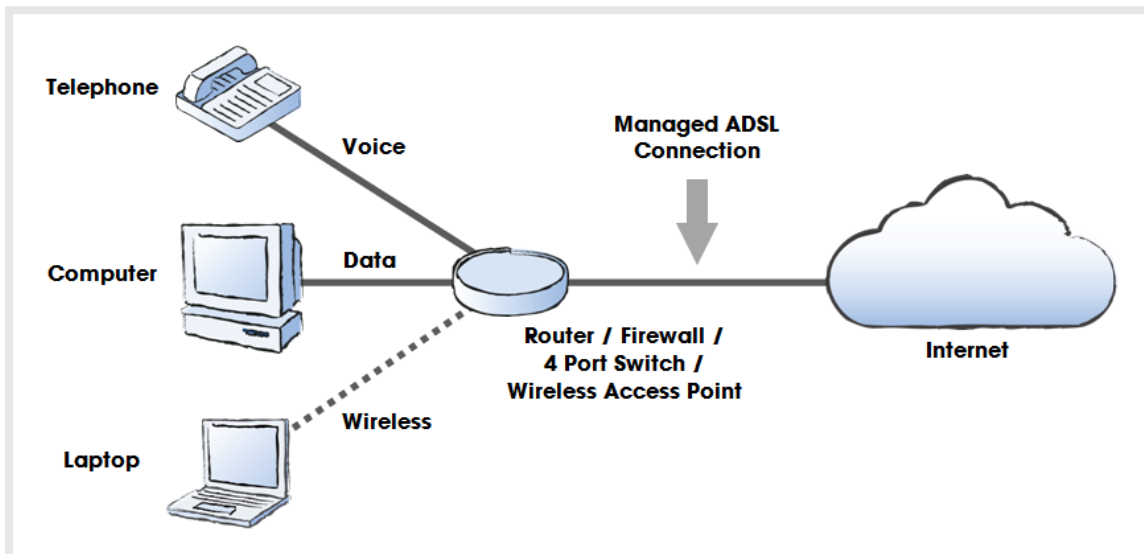
Modrus supplies all of the required system hardware and proactively monitors everything 24/7 from its sophisticated operations centre. On many occasions this means that if an issue occurs, it is rectified before you are even aware of it. Modrus is extremely confident of the processes in place and offers a cast-iron uptime guarantee. If your connection is down, you don't pay for it - it's as simple as that.

Connectivity Options (see the following pages for details):

- **Modrus Connect Home** – a fully managed ADSL Internet connection.
- **Modrus Connect Office** – a fault tolerant solution using dual ADSL connections from separate suppliers.
- **Modrus Connect 100** – a 100Mb/s connection for large businesses.
- **Modrus Connect 1000** – a 1000Mb/s (1Gb/s) connection for enterprises.

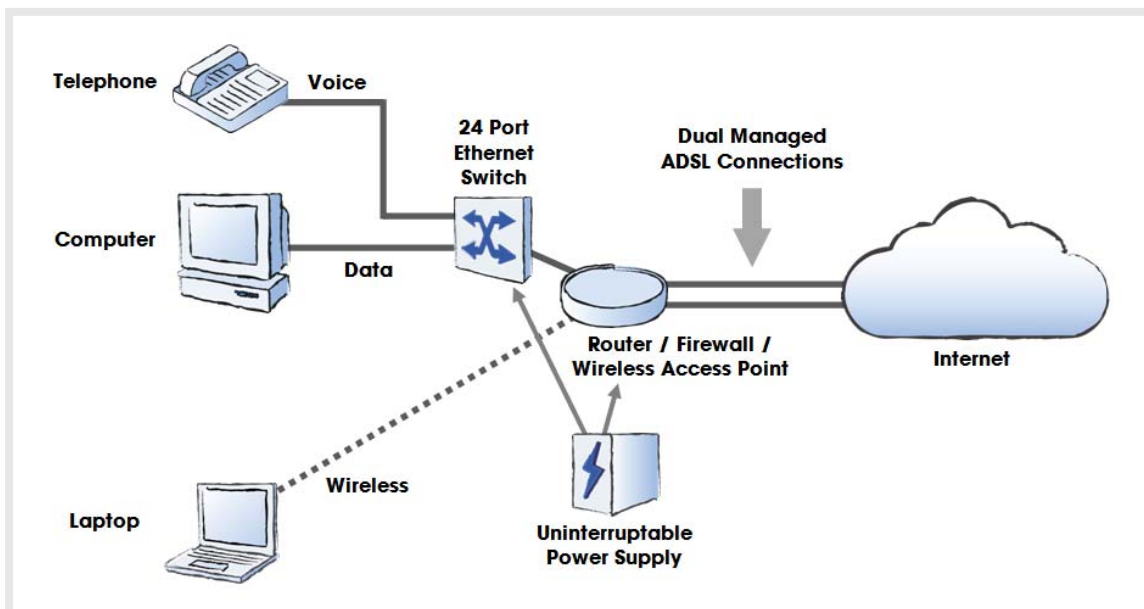
Modrus Internet Connectivity

Modrus Connect Home



The ideal solution for individuals working from home. A fully managed ADSL Internet connection, complete with all the necessary hardware – all backed up by Modrus' unrivalled 24/7 system monitoring and expert fault resolution service.

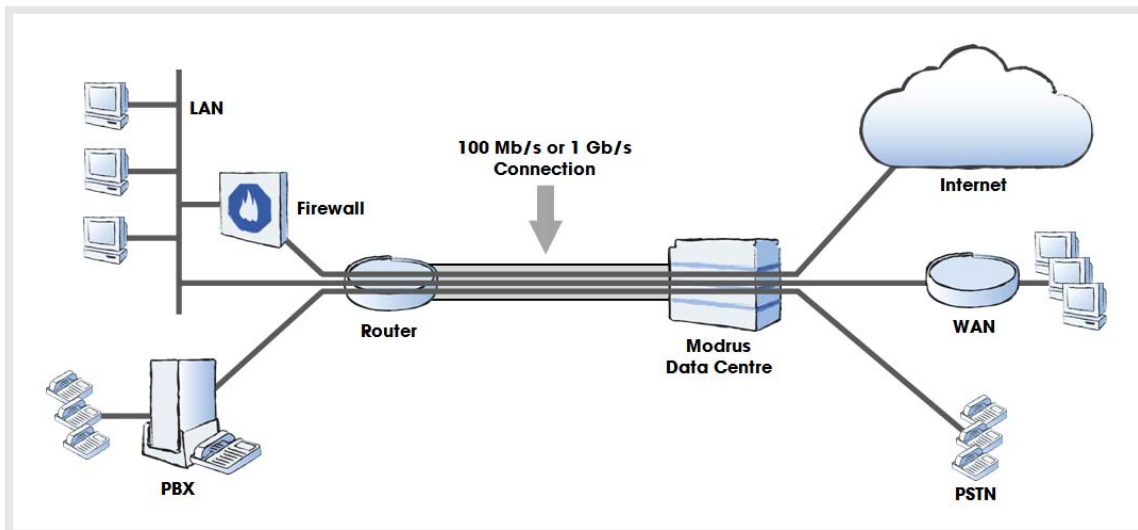
Modrus Connect Office



When Internet connectivity is mission critical to your business, Modrus Connect Office provides ultimate peace of mind at an affordable cost. This fault tolerant solution is based upon dual ADSL connections from separate telecoms suppliers, providing automatic failover in case a line goes down. Included in this package are a dedicated firewall, 24 port Ethernet switch plus a UPS (uninterruptible power supply – which provides short-term battery power in case of a mains power failure), with all hardware and telecoms monitored 24/7 from the Modrus operations centre.

Modrus Internet Connectivity

Modrus Connect 100/1000



For businesses where higher Internet bandwidth is required, Modrus' Connect 100 (100Mb/s) and Connect 1000 (1Gb/s) solutions offer fantastic value for money. Delivered via a fibre connection, they feature IP quality of service (QoS) functionality which allows voice, data centre or external Internet traffic to be prioritised as required. In addition, these connections benefit from a defined SLA with guaranteed response time and an independent analogue line which facilitates remote management and diagnostics.

Any Questions?

Contact us before you embark on your next project. You will discover that we possess both the technical expertise and business savvy to ensure our solutions deliver the most powerful rewards to your organisation.

Telephone 020 3371 6666

Visit www.modrus.com

Email info@modrus.com

