



Modrus Server Hosting

If your business needs to run specialised Internet based applications, Modrus Server Hosting provides powerful and resilient packages, available in a flexible range of configurations to suit your technical and budgetary requirements. Your servers are located in Modrus' geographically separated, UK based, Tier III* hosting environments, allowing you to concentrate on delivering the application services you require.

Tier III Hosting Environment

Modrus uses the only Tier III certified* data centres in Europe. This rigorous certification requires multiple redundant systems for power, Internet connectivity and management systems, plus strict environmental and physical security controls. You will not find a better home for your servers.

Flexible Hardware Options

Modrus operates a flexible mix-and-match approach to supplying either virtualised or dedicated Dell hardware, with both server processing power and associated data storage capacity, available in various configurations. Please refer to the options table for examples – we then encourage you to contact us to discuss your specific requirements.

Colocation

If you would prefer, you may supply your own hardware which is then colocated within our data centre rack space. This allows you to take full benefit of the same ancillary services that are available to our virtualised or dedicated server customers, while being in full control of your hardware specification.

Managed Firewall

Your servers are located behind a managed firewall, protecting them from malicious Internet attack.

Generous Bandwidth Allowances

Each Modrus hosting package includes a generous monthly data transfer allowance – with the amount agreed between us in order to meet your application's expected requirements. In addition, a burstable network bandwidth of up to 100Mbps is available, meaning that your server will be accessible – even during periods of peak demand.

Inclusive Ancillary Services

All Modrus hosting packages feature the following inclusive ancillary facilities, which are often added as hidden extras by other suppliers...

▶ Nightly Backups

Data snapshots are taken every 24 hours and stored for 30 days.

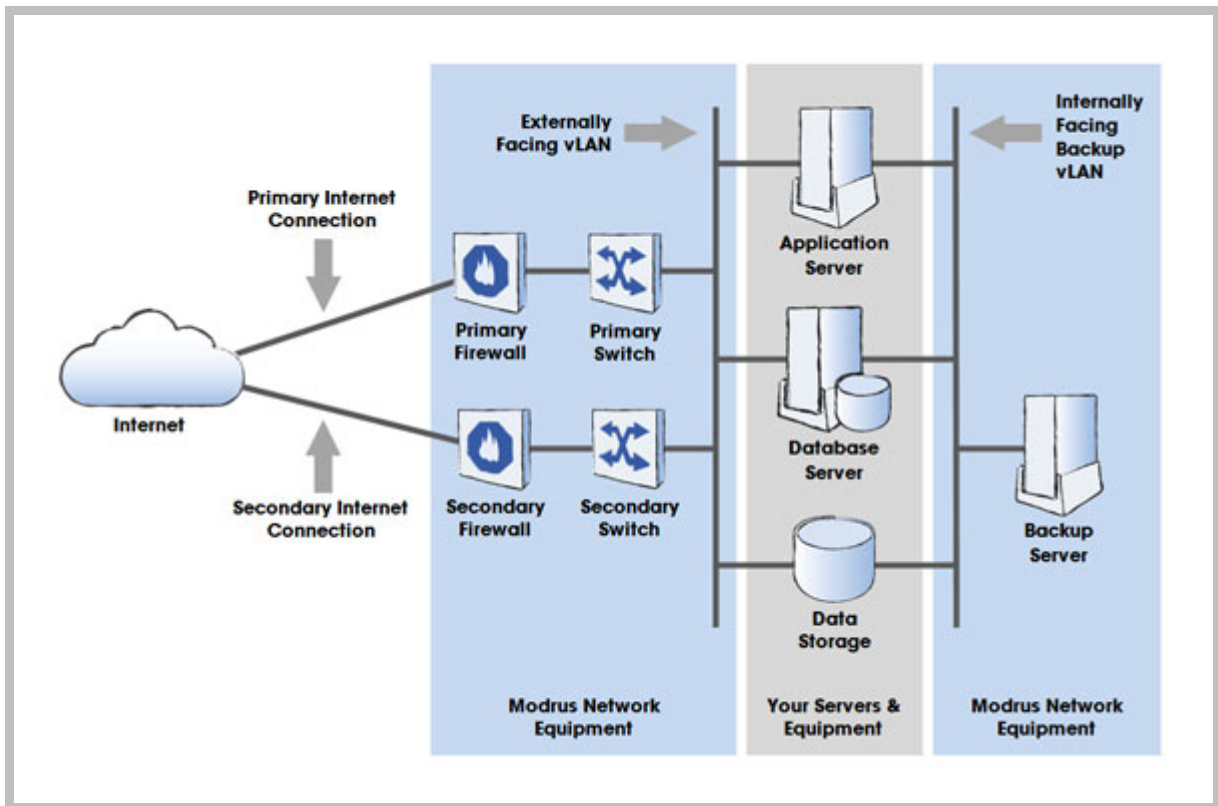
▶ Gigabit Ethernet vLAN

Your servers are connected to each other behind the firewall using 1000Mbps vLAN switches.

▶ Modrus Monthly Licensing

Modrus is one of a small number of UK suppliers able to license Microsoft server and desktop software licenses on a monthly basis. As a result, up-front costs are dramatically reduced and you pay only for the software you are actually using.

Modrus Server Hosting



Your servers / data storage are connected to the Internet using redundant systems. If a piece of hardware fails, network traffic is automatically routed away from the problem. In addition, backup data travels across a separate network connection and therefore does not impinge upon Internet traffic in any way.

Options



High Performance Virtual Server

VMWare virtualised Windows Server
1 CPU, 1GB RAM, 18GB system disk.



Ultra High Performance Virtual Server

VMWare virtualised Windows Server
2 CPUs, 2GB RAM, 36GB system disk.



Hi Performance Physical Server

Dedicated Dell Windows Server
1 CPU, 1GB RAM, 18GB system disk.



Ultra Hi Performance Physical Server

Dedicated Dell Windows Server
2 CPUs, 2GB RAM, 36GB system disk.



100GB Hi Performance Storage

Composed of a single path for power and cooling distribution, without redundant components.



100GB Ultra Hi Performance Storage

Composed of a single path for power and cooling distribution, with redundant components.



1U Telecity Server Colocation

House your own server in our Telecity rack space.



1U Interxion Server Colocation

House your own server in our Interxion rack space.



Monthly Software Licensing

Bespoke monthly license package tailored to your requirements.

Modrus Server Hosting

Glossary

*** Data Centre Tiering** – The Uptime Institute's (an independent organisation) multi-tier system provides a simple and effective means of identifying different data centre infrastructure designs and allows straightforward benchmarking between sites, as follows...

Tier I: composed of a single path for power and cooling distribution, without redundant components, providing 99.671% availability.

Tier II: composed of a single path for power and cooling distribution, with redundant components, providing 99.741% availability.

Tier III: composed of multiple active power and cooling distribution paths, but only one path active, has redundant components and is concurrently maintainable, providing 99.982% availability.

Any Questions?

Contact us before you embark on your next project. You will discover that we possess both the technical expertise and business savvy to ensure our solutions deliver the most powerful rewards to your organisation.

Telephone 020 3371 6666

Visit www.modrus.com

Email info@modrus.com

